

**»multifix« series**

Diaphragm pressure regulator, self-relieving, with pneumatic remote control. The pressure is set with a pilot pressure regulator (1:1 ratio). The output pressure corresponds to the set pressure of the pilot pressure regulator. Either a standard or a precision pressure regulator can be used to regulate the pilot pressure.

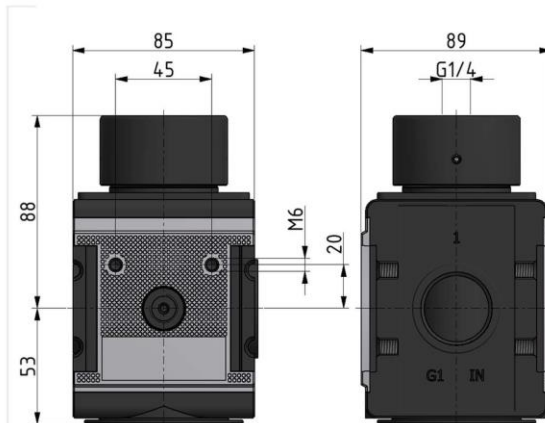
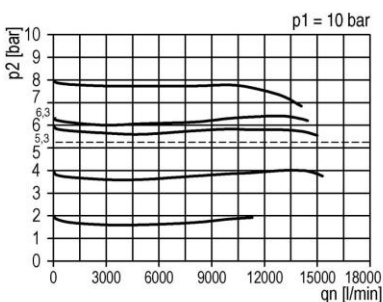
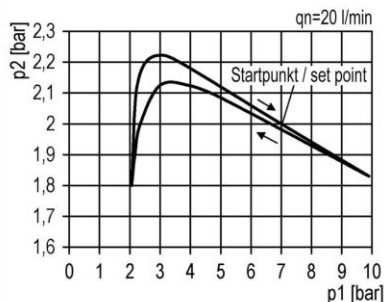
Max. input pressure:	16 bar
Medium temperature:	-10 to 60 °C
Ambient temperature:	-10 to 60 °C
Sealant:	NBR
Flow rate measurement:	At $P_1 = 10$ bar, $P_2 = 6.3$ bar and pressure drop $\Delta p = 1$ bar

**Pressure regulator with pneumatic remote control, without pressure gauge**

Art. No.	Type No.	Thread	Pilot air connection	Housing	Flow rate l/min	Size	DN
133105	RI 44	G 3/4	G 1/4	Die-cast aluminium	12000	4	20

**Accessories / spare parts**

Art. No.	Type No.	Description
135858	ZW 45	Mounting bracket with 2 screws
135857	KP 45	Coupler pack for modular assembly of several devices
135855	22.1845.4	Set of wearing parts


**flow characteristic**

**pressure characteristic**

**symbol**
